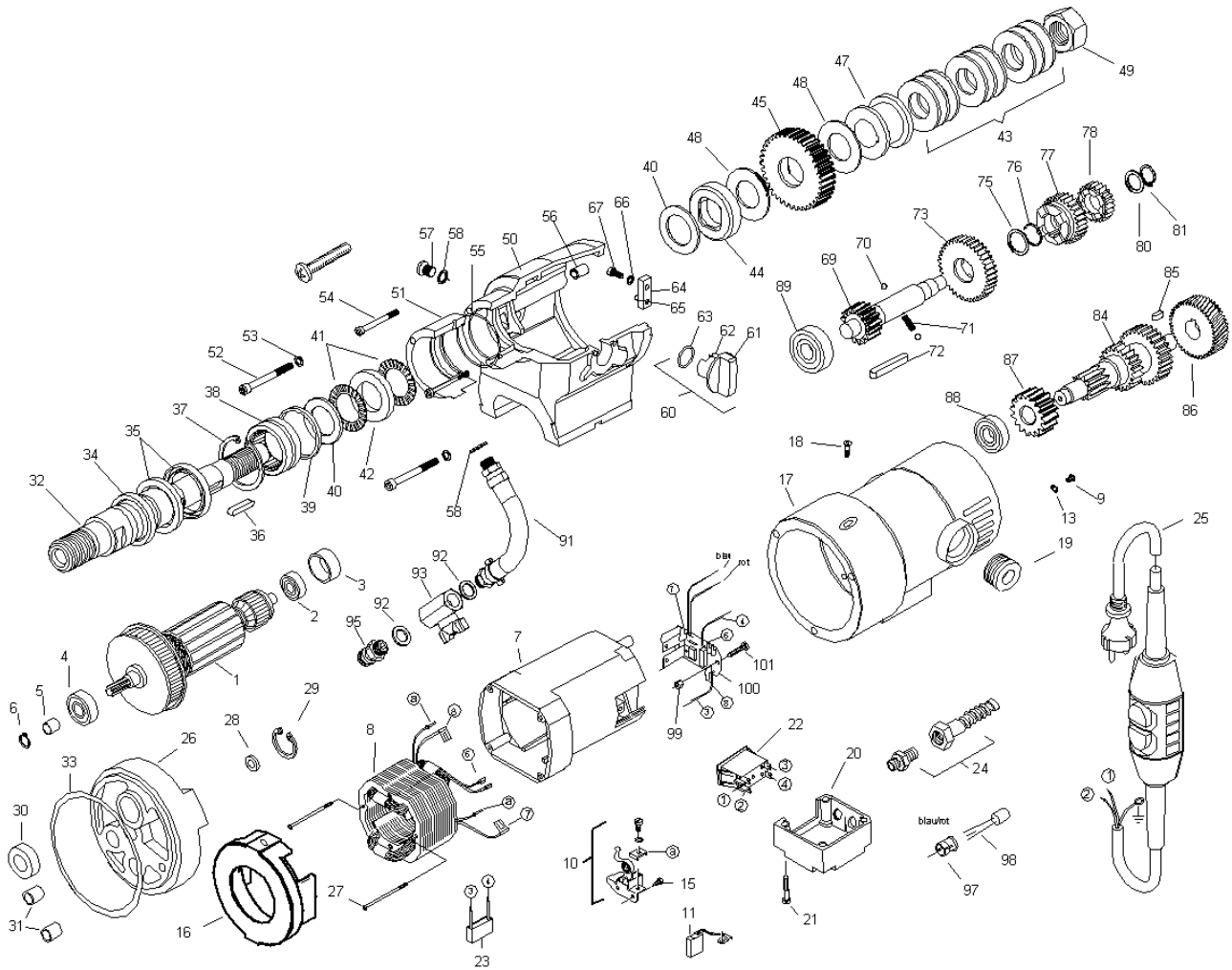


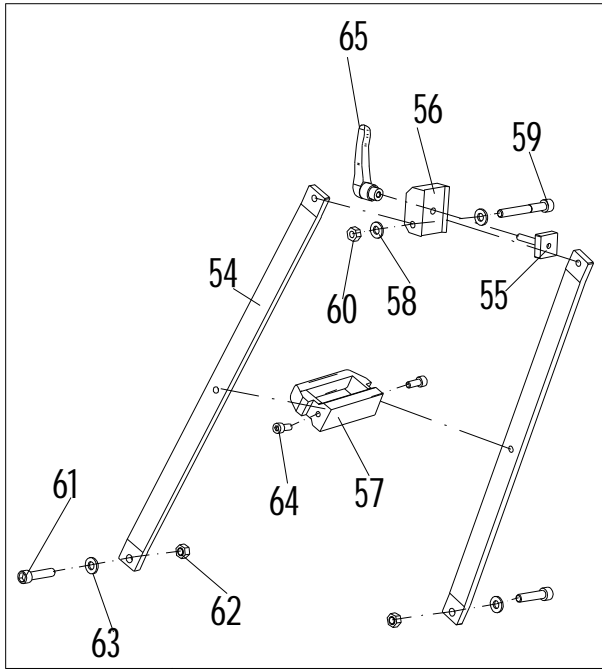
# RIDGID® RB-208/3 Motor (33441)



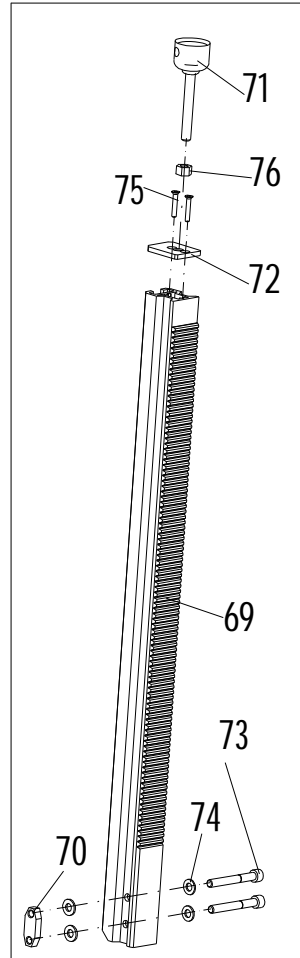
Nr.	Description	Cat.nr	Nr.	Description	Cat.nr	Nr.	Description	Cat.nr
1	ARMATURE ASSY	70776	34	SEAL 40X52X7	71096	66	LOCKWASHER 5	71406
2	BALL BEARING 6000 2Z	65426	35	SEAL 40X55X7	71106	67	UMBRACO SCREW M5X12	71416
3	BEARING SLEEVE	65346	36	WOODRUFF KEY 6X6X32	65816	69	2ND INTERMEDIATE GEAR	71426
4	BALL BEARING 6201 RSZ	70806	37	CIRCLIPS 52/2	71126	70	BALL 5	71436
5	BUSHING 12X15X12,5	70816	38	NEEDLE BEARING 37	71136	71	COPRESSION SPRING	71446
6	CIRCLIP 12/1	70826	39	STEEL RING	71146	72	WOODRUFFKEY 6X6X50	71686
7	MOTORHOUSING	70836	40	DRIVE PLATE	71156	73	SINGLE GEAR #1	71696
8	FIELD	70846	41	THRUST BEARING 3047	71166	75	SPACER 12/18X1,5	71556
9	SCREW M4X6	65586	42	INNER WASHER	71176	76	RING 20X1,2	71736
10	BRUSHHOLDER ASSY	65396	43	BELLEVILLE WASH. 50X25,4X3	71186	77	SHIFT-GEAR	71746
11	SET OF CARBON BRUSHES	64786	44	PRESSURE RING	71196	78	SINGLE GEAR #2	71756
13	LOCKWASHER 4,3	64836	45	CLUTCH - GEAR	71206	80	SPACER 16/22X1	71536
15	SCREW 2,9X13	56186	47	PRESSURE BUSHING	71226	81	CIRCLIPS 16/1	71546
16	FAN HOUSING	70926	48	FRICTION DISC	71236	84	1ST INTERMEDIATE GEAR	71566
17	GUARD F. MOTORHOUSING	79396	49	HEXNUT M24X1,5	70946	85	WOODRUFFKEY 5X5X10	71576
18	SCREW 4,2X25	56136	50	GEARCASE	79426	86	MAIN DRIVE GEAR	71586
19	BRUSHCAP	70956	51	WATERCOLLECTOR	71266	87	HELICAL GEAR	71596
20	SWITCHBOX	70966	52	UMBRACO SCREW M6X65	71276	88	BALL BEARING 6001	71606
21	SCREW M5X35	70976	53	LOCKWASHER 6	71286	89	BALL BEARING 6302	71616
22	SWITCH	65516	54	UMBRACO SCREW M5X55	71296	91	HOSE ASSY	65286
23	SUPPRESSOR	70996	55	O-RING 50,52X1,78	71306	92	SEAL 1/4	65326
24	STRAIN RELIEF	65506	56	BUSHING	71316	93	VALVE	65316
25	LINE CORD W. GFI SWITCH	64916	57	GREASE FILLING CAP 1/8	71326	95	CONNECTOR GARDENA	79436
26	MOTOR-GEARCASE ADAPTER	79406	58	SEAL 1/8	65086	97	DIODE HOLDER	70646
27	SPACER	79416	60	SHIFT KNOB ASSY	71346	98	DIODE	70656
28	SEAL 15X21X3	71046	61	SHIFTER KNOB	71356	99	PLASTIC NUT M5	55936
29	CIRCLIP 32/1,5	71056	62	DOWEL PIN 4M6X12	71366	100	CONNECTOR PLATE	79446
30	BUSHING 2012	71066	63	O-RING 18,77X1,75	71376	101	SCREW 4,2X25	56136
31	BUSHING 1212	71076	64	SHIFT SLIDE	71386		GEAR OIL 1 LITER	72686
32	OUTPUTSPINDLE	71086	65	DOWEL PIN 5M6X12	71396		ADAPTER PLATE	78216
33	O-RING	71806						

**RIDGID**

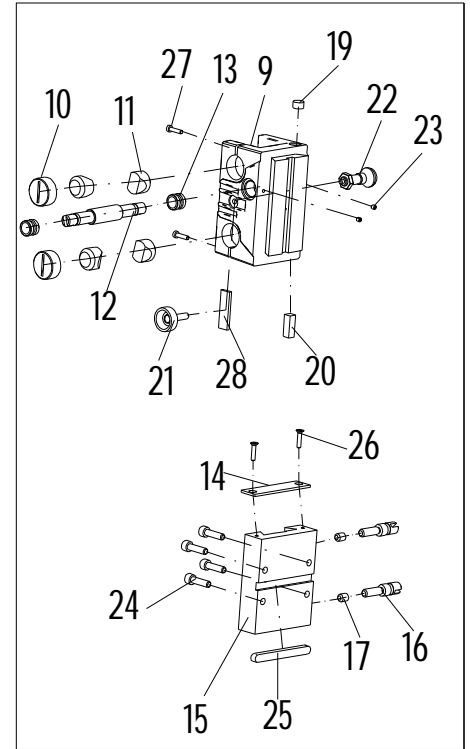
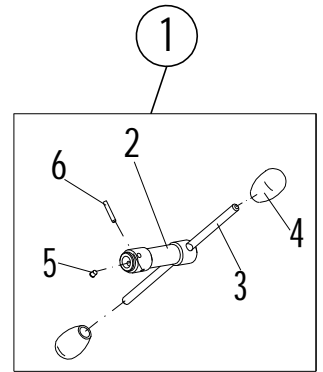
RB 208/3 Stand  
CAT.NO.25831



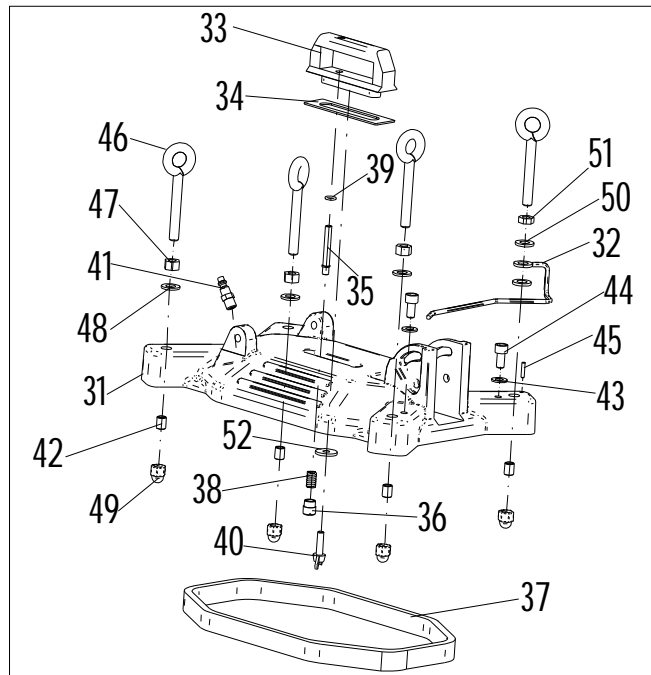
53



68



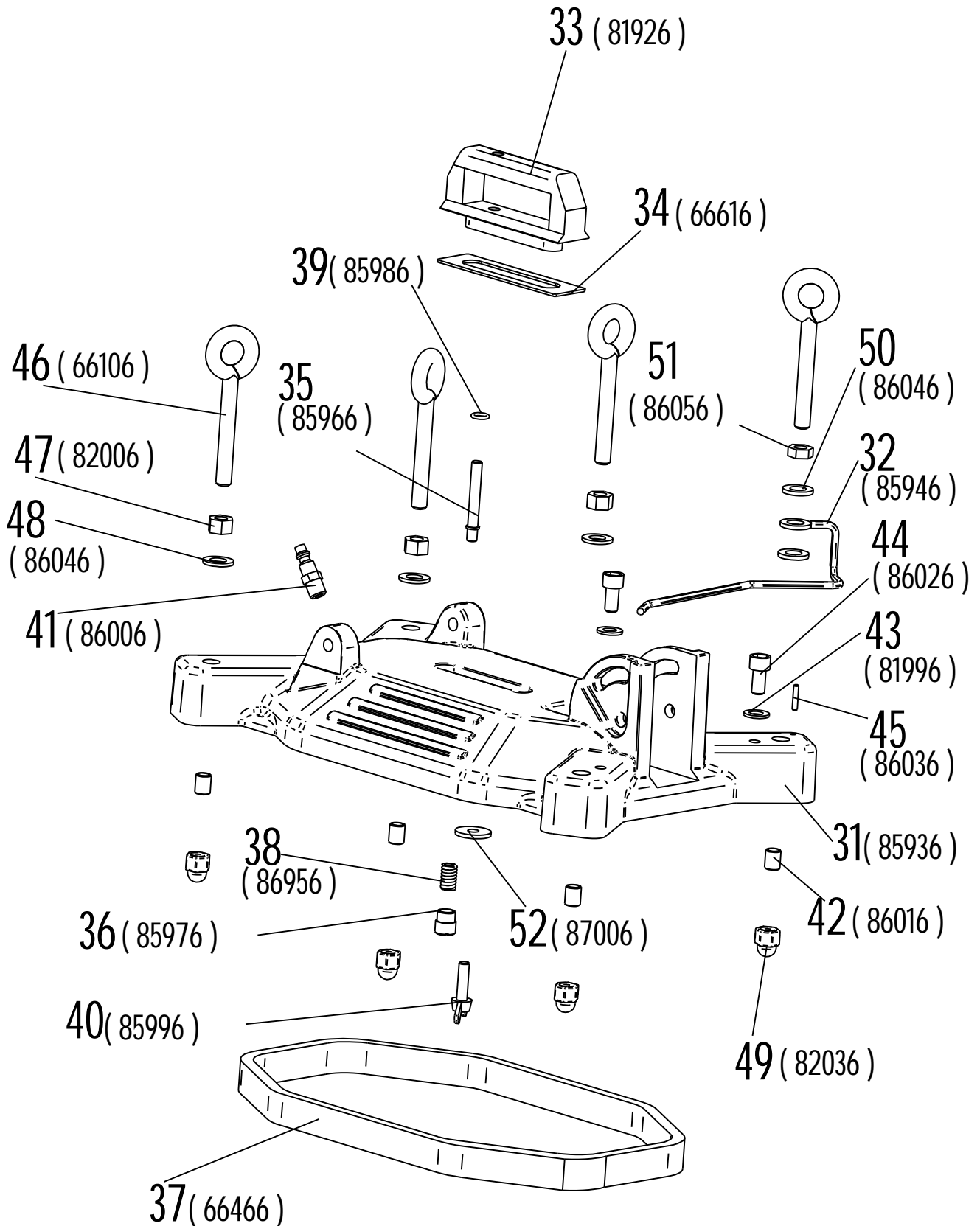
8



30

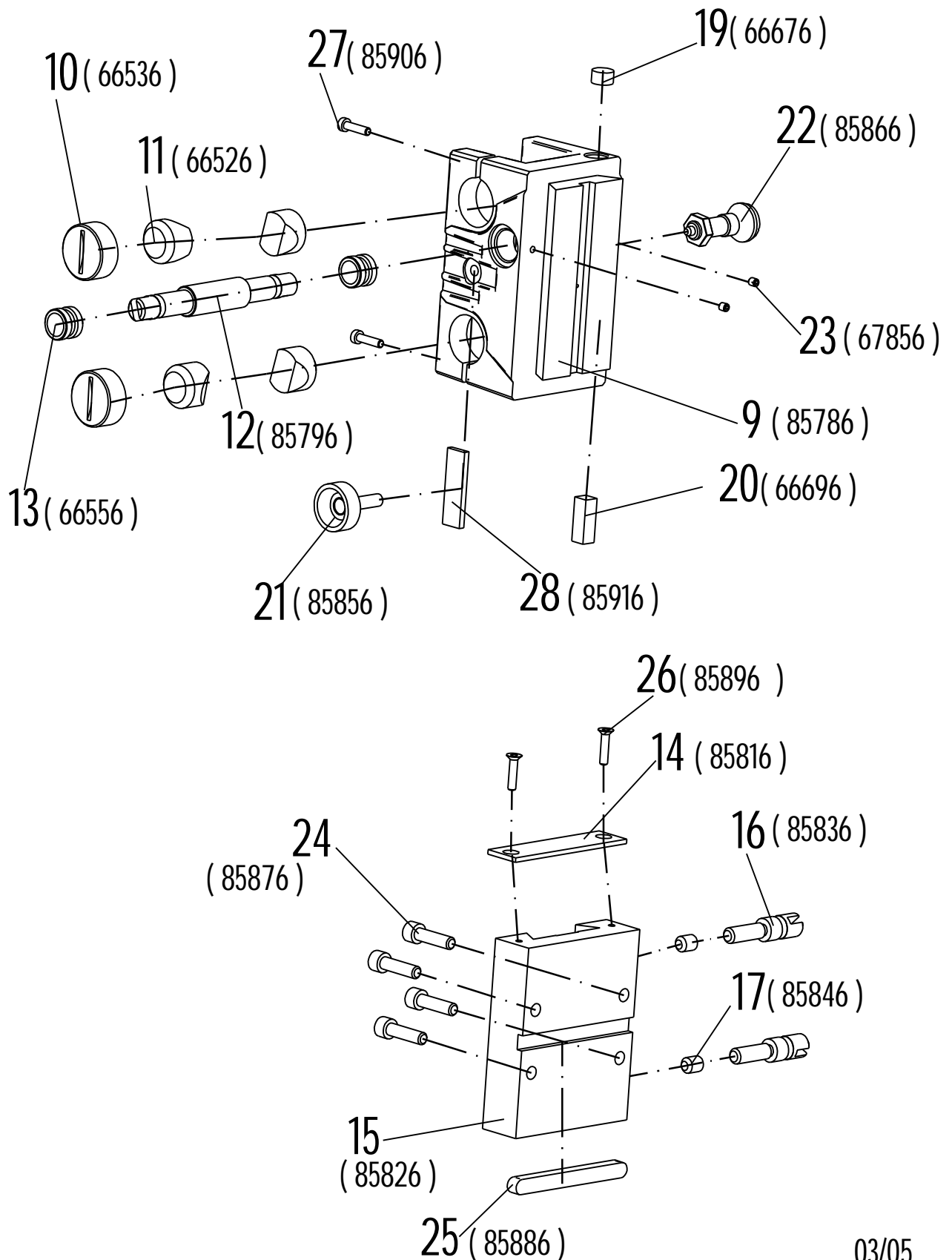
30

### Base complete 85926



8

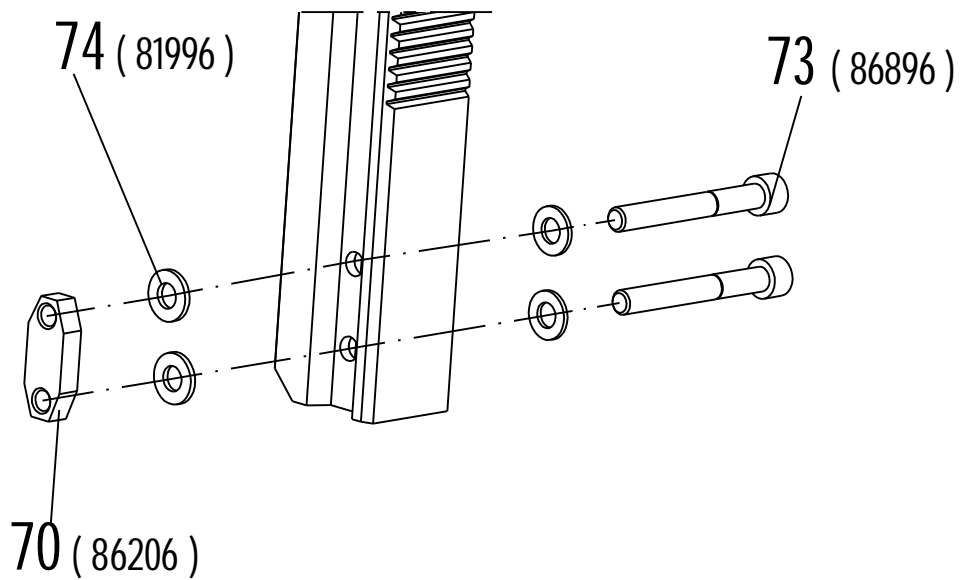
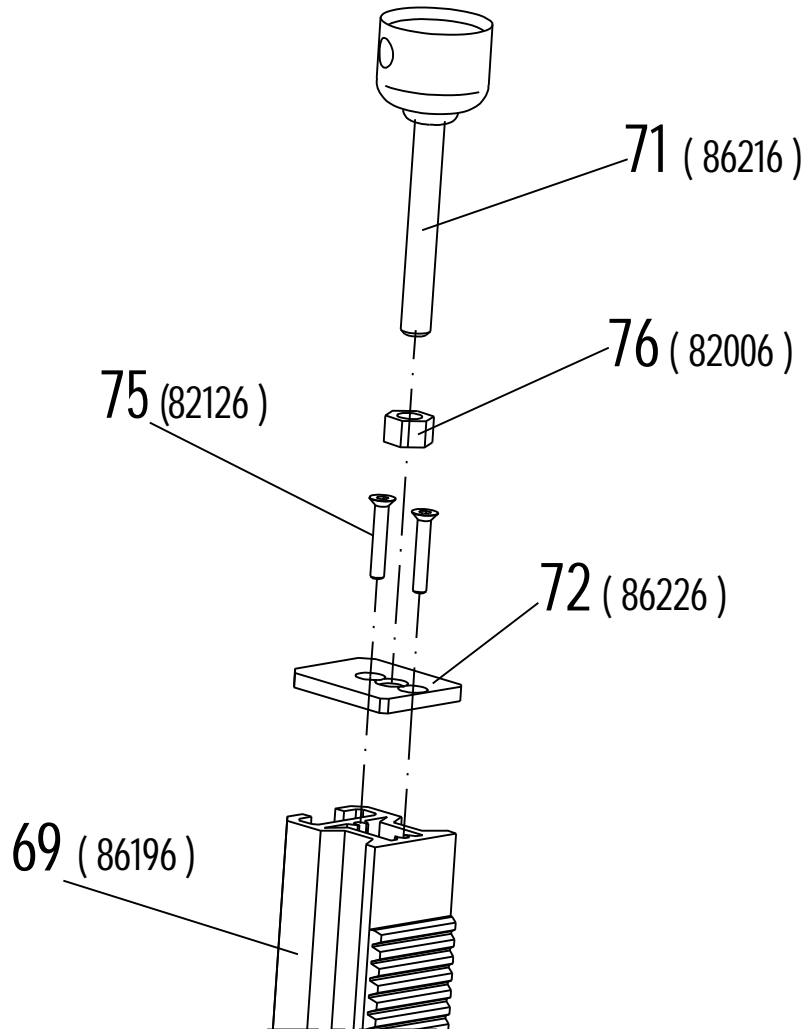
### Carriage complete 85776



68

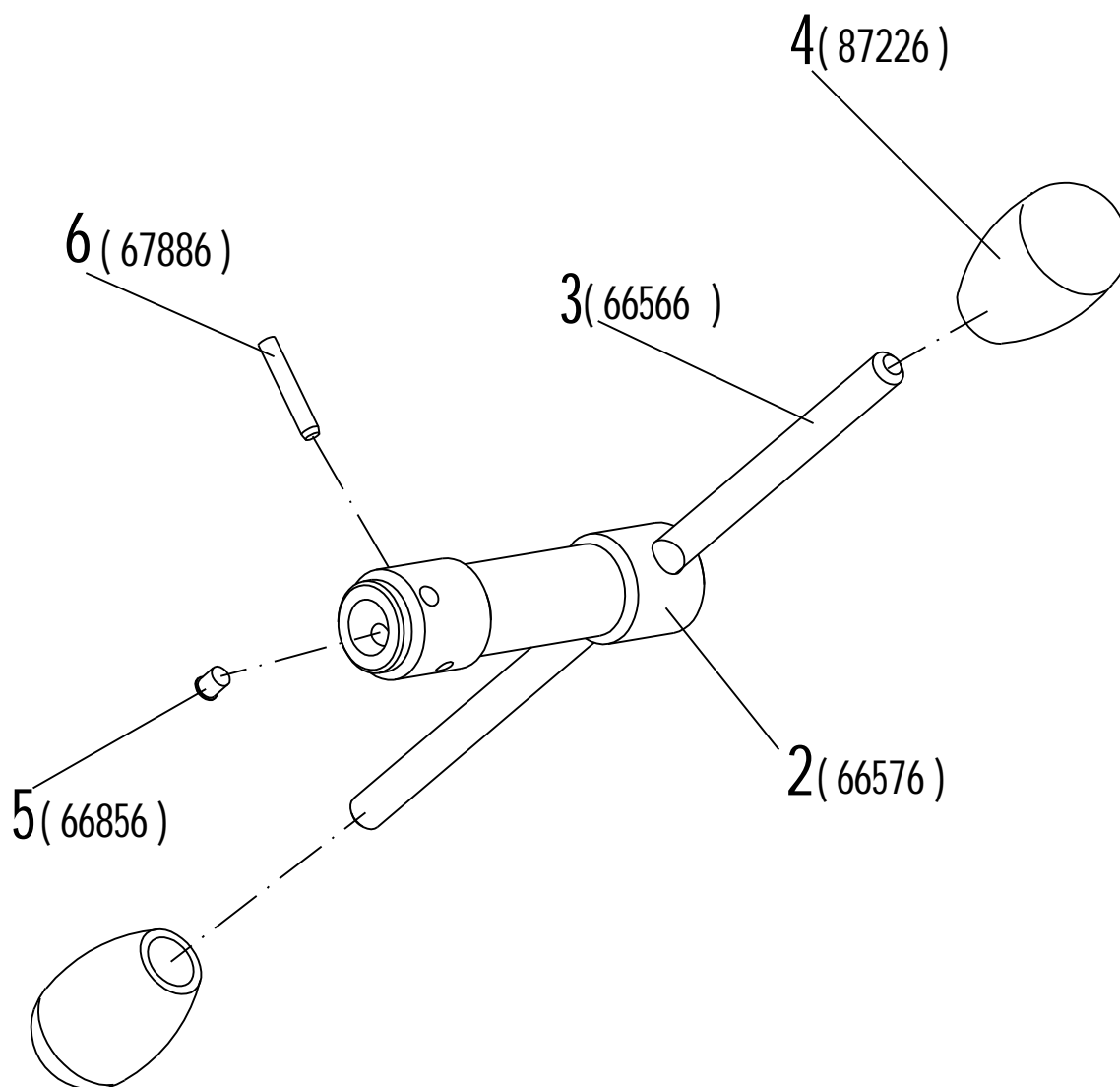
Column , complete

BR 208/3 Stand  
Artikel Nr.: 09 RB 8  
CAT.NO. 25831



1

Spindle , complete 87046



53

Set of support arms complete 86066

