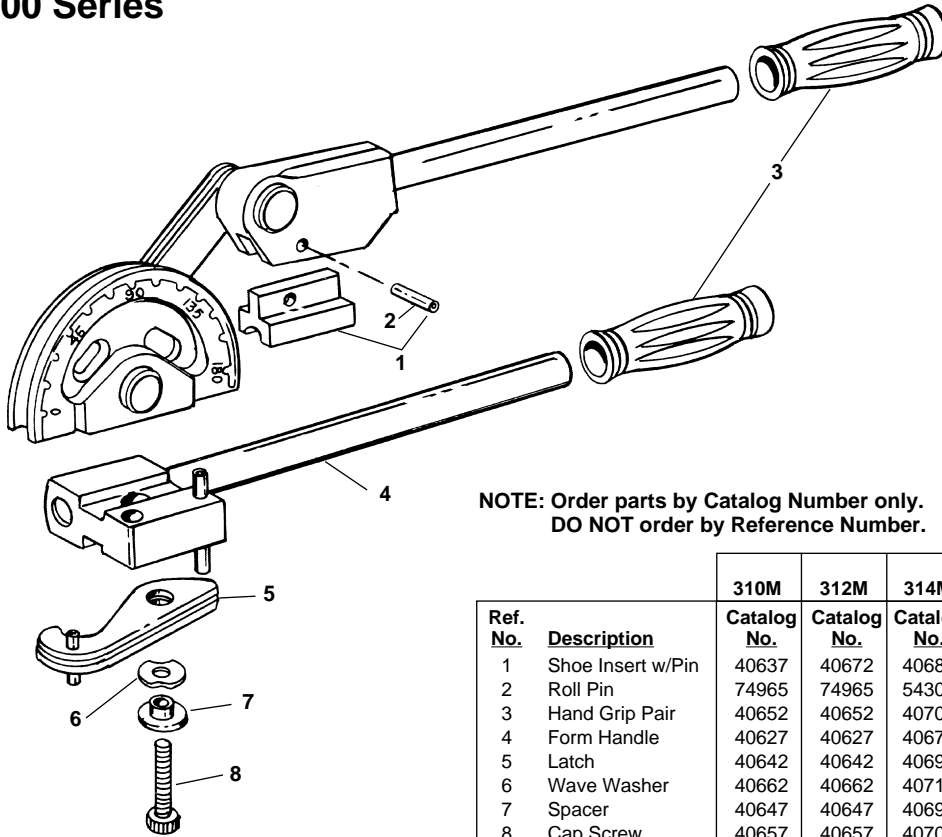


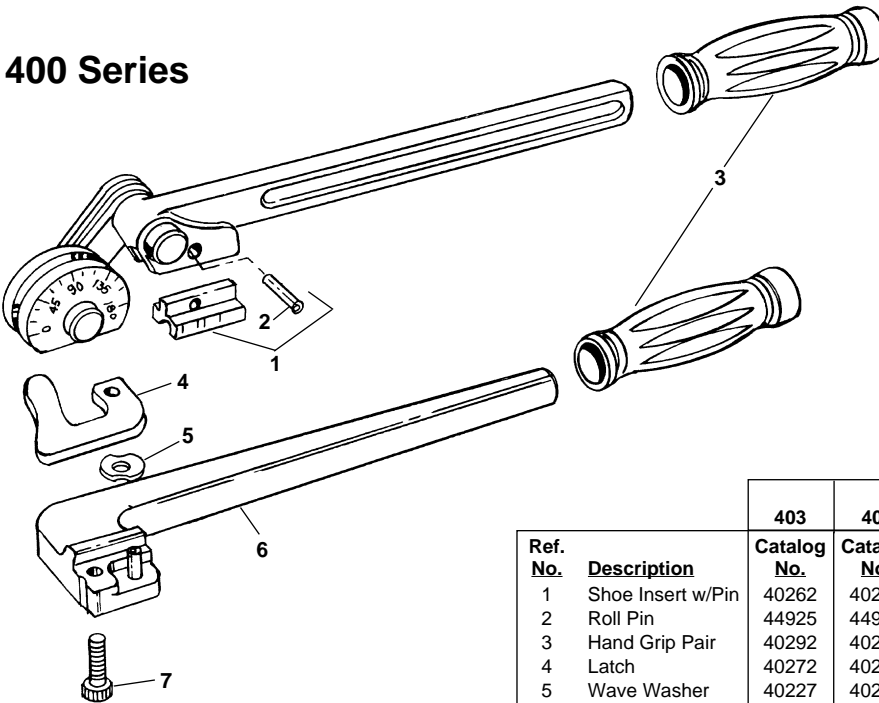
300 Series



**NOTE: Order parts by Catalog Number only.
DO NOT order by Reference Number.**

Ref. No.	Description	310M Catalog No.	312M Catalog No.	314M Catalog No.	315M Catalog No.	310/316M Catalog No.	318M Catalog No.	312 Catalog No.	312A Catalog No.
1	Shoe Insert w/Pin	40637	40672	40687	40722	40727	40737	40742	62307
2	Roll Pin	74965	74965	54300	54300	54300	54300	54300	54300
3	Hand Grip Pair	40652	40652	40702	40702	40702	40702	40702	40702
4	Form Handle	40627	40627	40677	40677	40677	40732	44617	44617
5	Latch	40642	40642	40692	40692	40692	40692	40692	40692
6	Wave Washer	40662	40662	40712	40712	40712	40712	40712	40712
7	Spacer	40647	40647	40697	40697	40697	40697	40697	40697
8	Cap Screw	40657	40657	40707	40707	40707	40707	40707	40707

400 Series



Ref. No.	Description	403 Catalog No.	404 Catalog No.	406M Catalog No.	405/410M Catalog No.	480M Catalog No.	406 Catalog No.	408 Catalog No.	412M Catalog No.
1	Shoe Insert w/Pin	40262	40297	40307	40317	40337	40352	40362	40397
2	Roll Pin	44925	44925	44925	34342	34342	34342	74965	74965
3	Hand Grip Pair	40292	40292	40292	40652	40652	40652	40392	40392
4	Latch	40272	40272	40272	40322	40322	40322	40372	40372
5	Wave Washer	40227	40227	40227	40227	40227	40227	40377	40377
6	Form Handle	40282	40302	40312	40327	40347	40357	40382	40402
7	Cap Screw	40267	40267	40267	83685	83685	83685	40367	40367