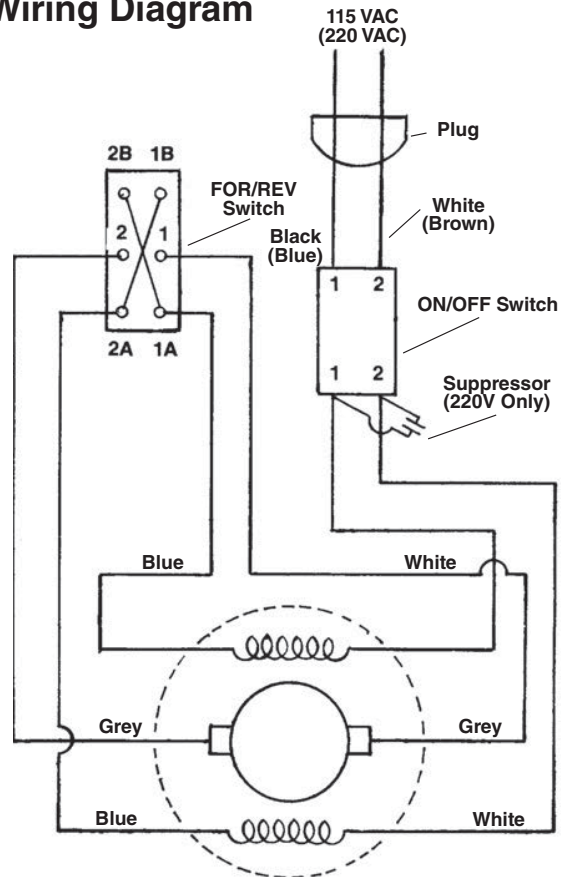
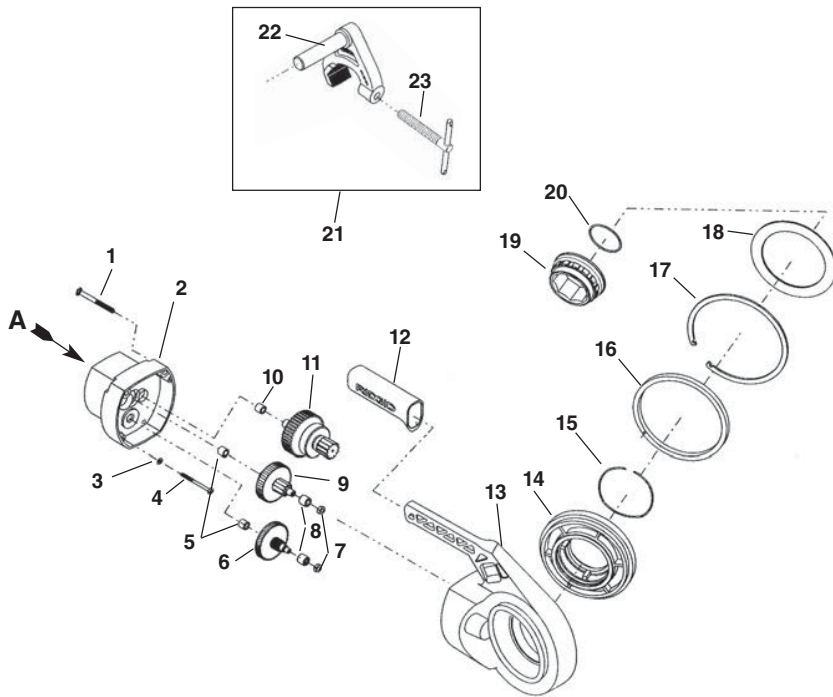


**NOTE: Order parts by Catalog Number only.
DO NOT order by Reference Number.**

| Ref. No. | Catalog No. | Description |
|----------|-------------|-----------------------------|
| 1 | 20746 | Cord w/Plug (115V) |
| | 20276 | Cord w/Plug (230V - Europe) |
| 2 | 20286 | Sleeve |
| 3 | 20326 | Suppressor |
| 4 | 20266 | ON/OFF Switch |
| 5 | 20586 | Screw (4) |
| 6 | 20576 | Screw (3) |
| 7 | 20296 | Cable Clamp |
| 8 | 20566 | Screw (2) |
| 9 | 20526 | Handle |
| 10 | 21796 | Switch (115V) |
| | 20516 | Switch (230V) |
| 11 | 20546 | Screw (2) |
| 12 | 20496 | Cap (2) |
| 13 | 20556 | Screw (2) |
| 14 | 20406 | Screw (2) |
| 15 | 20396 | P.V.C. Wire (2) |
| 16 | 20356 | Brush Holder (2) |
| 17 | 20316 | Coil Spring (2) |
| 18 | 20306 | Set of 2 Brushes |
| 19 | 34382 | Name Plate |
| 20 | 20236 | Motor Housing |
| 21 | 20506 | Spacer |
| 22 | 20386 | Lead Wire Plate |
| 23 | 21716 | Field (115V) |
| | 20246 | Field (230V) |
| 24 | 20486 | Pressure Spring (2) |
| 25 | 20476 | Fan Housing |
| 26 | 20336 | Bearing |
| 27 | 21736 | Armature (115V) |
| | 20256 | Armature (230V) |
| 28 | 47477 | Bearing |
| 29 | 20466 | Spring Ring |
| 30 | 20456 | Spacer |
| 31 | 20446 | Washer |
| 32 | 34387 | Screw (2) |
| 33 | 43232 | Fan Housing |
| 34 | 34397 | Screw (2) |
| 35 | 34517 | Brass Washer (2) |
| 36 | 34512 | Gasket |

Wiring Diagram



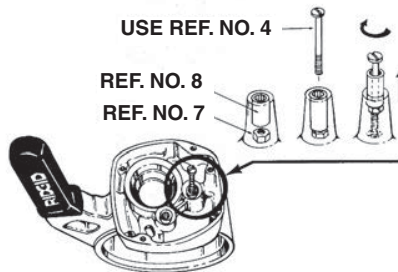


NOTE: Order parts by Catalog Number only. DO NOT order by Reference Number.

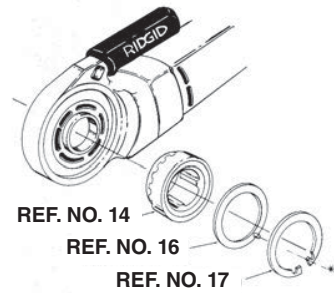
| Ref. No. | Catalog No. | Description |
|----------|-------------|------------------------------|
| 1 | 43227 | 1/4" - 20 x 2 1/2" Screw (4) |
| 2 | 43232 | Fan Housing |
| 3 | 34517 | Brass Washer (4) |
| 4 | 34397 | 4.8 x 65mm Screw (4) |
| 5 | 43247 | Needle Bearing (2) |
| 6 | 43237 | 1st Intermediate Gear |
| 7 | 77710 | 1/4" - 20 Hex Nut |
| 8 | 43242 | Needle Bearing (2) |
| 9 | 43252 | 2nd Intermediate Gear |
| 10 | 43257 | Needle Bearing |
| 11 | 43262 | Main Drive Pinion |
| 12 | 34487 | Hand Grip |
| 13 | 43267 | Gear Housing |
| 14 | 43272 | Face Gear w/Cap |
| 15 | 39172 | Spring Ring |
| 16 | 43277 | Ring Bearing w/Pin |
| 17 | 43282 | Retaining Ring |
| 18 | 43287 | Cap |
| 19 | 39187 | Ratchet Ring Adapter |
| 20 | 38830 | Ratchet Ring Spring |
| 21 | 43292 | Support Arm Assembly |
| 22 | 43297 | Arm |
| 23 | 43302 | Screw Assembly |

Service Notes

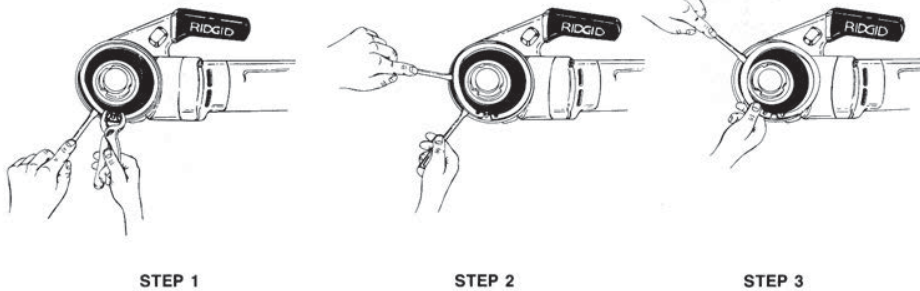
REF. NO. 8 BEARING REMOVAL

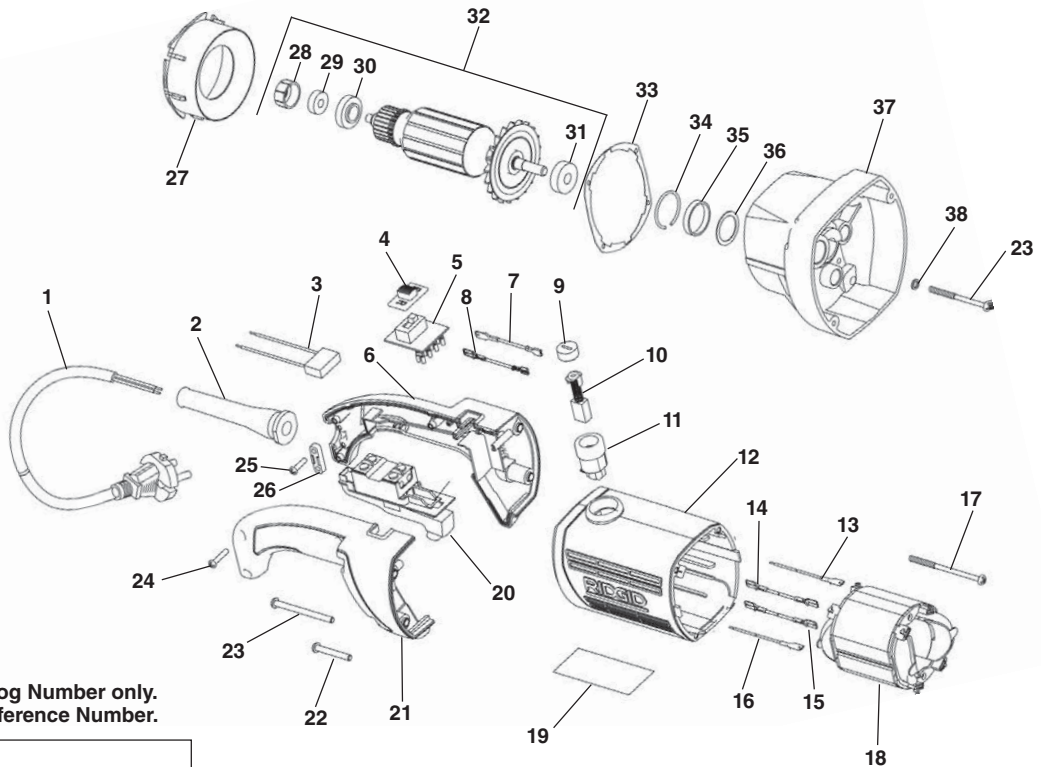


REF. NO. 16 RING BEARING (PIN) ORIENTATION



REF. NO. 17 RETAINING RING REMOVAL



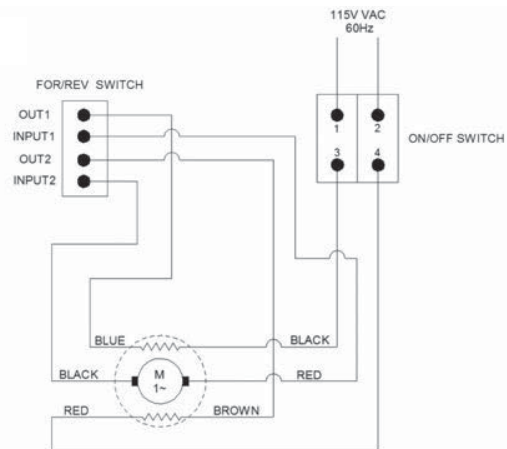


**NOTE: Order parts by Catalog Number only.
DO NOT order by Reference Number.**

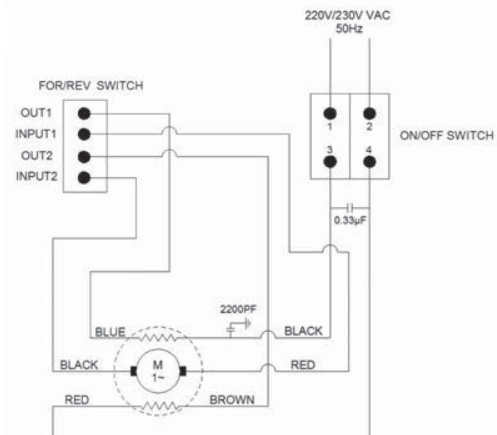
| Ref. No. | Catalog No. | Description |
|----------|-------------|-----------------------------|
| 1 | 45663 | Linecord 115V CE |
| | 45668 | Linecord 115V CSA |
| | 45673 | Linecord 220V CN |
| | 45678 | Linecord 230V CE |
| | 45683 | Linecord Swiss |
| 2 | 45658 | Strain Relief |
| 3 | 45618 | Capacitor 220V/230V/115V EU |
| 4 | 45613 | Slide Switch |
| 5 | 45608 | FOR/REV Switch |
| 6 | 45633 | Right Handle |
| 7 | 45778 | Red Brush Lead |
| 8 | 45783 | Black Brush Lead |
| 9 | 45598 | Brush Cap (2) |
| 10 | 45593 | Brush Assembly 115V (2) |
| | 45588 | Brush Assembly 230V (2) |
| 11 | 45583 | Brush Holder (2) |
| 12 | 45578 | Motor Housing |
| 13 | 45758 | Red Field Lead |
| 14 | 45763 | Blue Field Lead |
| 15 | 45768 | Brown Field Lead |
| 16 | 45773 | Black Field Lead |
| 17 | 45573 | Field Mounting Screw (2) |
| 18 | 45563 | Field 115V |
| | 45568 | Field 220V/230V |
| 19 | 47108 | Warning Decal |
| 20 | 45623 | ON/OFF Trigger |
| 21 | 45603 | Left Handle |
| 22 | 45628 | Screw (2) |
| 23 | 45498 | Screw (6) |
| 24 | 45638 | Screw (3) |
| 25 | 45653 | Screw (2) |
| 26 | 45648 | Cord Clamp |
| 27 | 45558 | Fan Shroud |
| 28 | 45553 | Bearing Sleeve |
| 29 | 45548 | Armature Bearing |
| 30 | 45543 | Dust Shroud |
| 31 | 45528 | Armature Pinion Bearing |
| 32 | 45533 | Armature Asm. 115V |
| | 45538 | Armature Asm. 230V |
| 33 | 47798 | Gasket |
| 34 | 45523 | Spring Ring |
| 35 | 45518 | Spacer Bearing |
| 36 | 45513 | Bearing Washer |
| 37 | 43232 | Fan Housing |
| 38 | 45508 | Washer (4) |

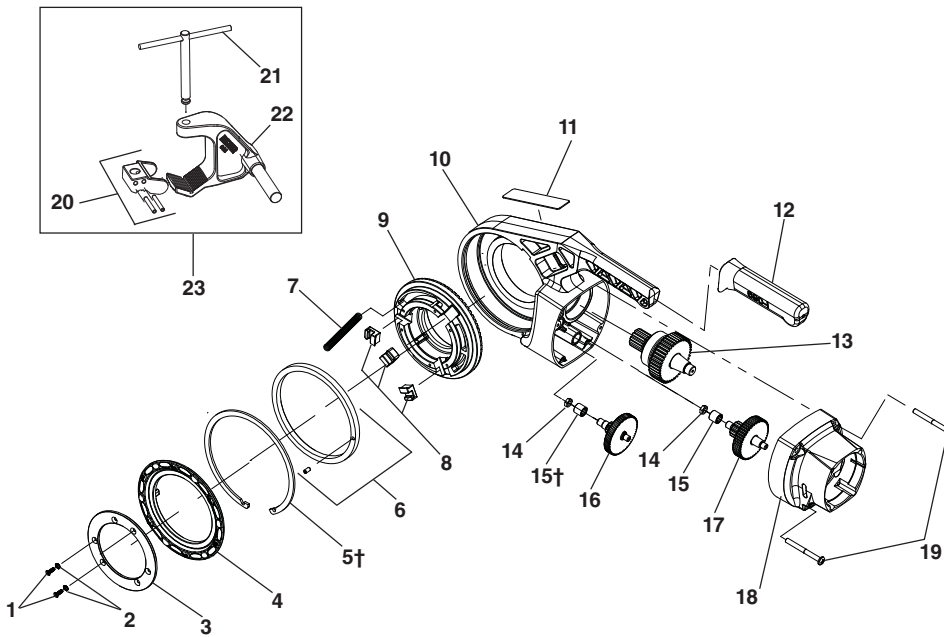
Wiring Diagrams

115V



220/230V





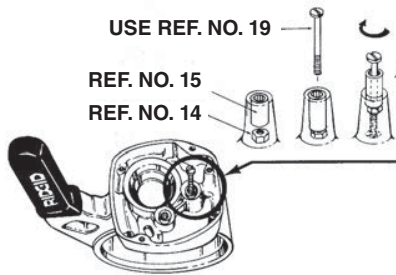
NOTE: Order parts by Catalog Number only. DO NOT order by Reference Number.

| Ref. No. | Catalog No. | Description |
|----------|-------------|----------------------|
| 1 | 47068 | Screw (6) |
| 2 | 47073 | Lock Washer (6) |
| 3 | 47063 | Lock Plate |
| 4 | 47058 | Drive Ring |
| 5† | 43282 | Retaining Ring |
| 6 | 43277 | Bearing Retainer |
| 7 | 47053 | Compression Spring |
| 8 | 47048 | Lock Inserts (3) |
| 9 | 47043 | Face Gear |
| 10 | 43267 | Gear Housing |
| 11 | 47103 | Icon Warning Decal |
| 12 | 47078 | Hand Grip |
| 13 | 43262 | 3rd Gear Asm. |
| 14 | 77710 | Jam Nut |
| 15† | 43242 | Needle Bearing |
| 16 | 43237 | 1st Gear Asm. |
| 17 | 43252 | 2nd Gear Asm. |
| 18 | 43232 | Fan Housing |
| 19 | 43227 | Screw (4) |
| 20 | 47748 | 692 Bottom Jaw Asm. |
| 21 | 47573 | 692 Screw Asm. |
| 22 | 47568 | 692 Support Arm |
| 23 | 45928 | 692 Support Arm Asm. |

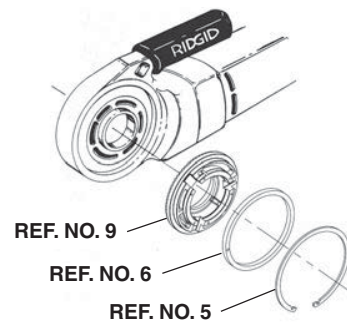
† Service Note

Service Notes

REF. NO. 15 BEARING REMOVAL



REF. NO. 16 RING BEARING (PIN) ORIENTATION



REF. NO. 5 RETAINING RING REMOVAL

